

Micro Speaker

Model: OSR13R-X290



ELECTRICAL SPECIFICATIONS

	Condition	Parameter	Unit
Sound Pressure Level	at 0.1W, 10cm [at 0.8, 1.0, 1.2, 1.5 KHz]	85 ± 3	dB
Impedance	at 1V, 2KHz	8 ± 15%	Ω
Rated Input Power		0.5	W
Max Input Power		0.8	W
Resonant Frequency (Fo)	at 1V	1300 ± 20%	Hz
Frequency Range		Fo ~ 20000	Hz
Buzzer & Rattles	not be audible at sine wave between Fo ~ 20KHz	2	V
Operating Temperature		-30 ~ 70	°C
Magnet		Nd-Fe-B	
Frame Material		Metal	
Cone Material		Mylar (PEN)	
Weight		1	g

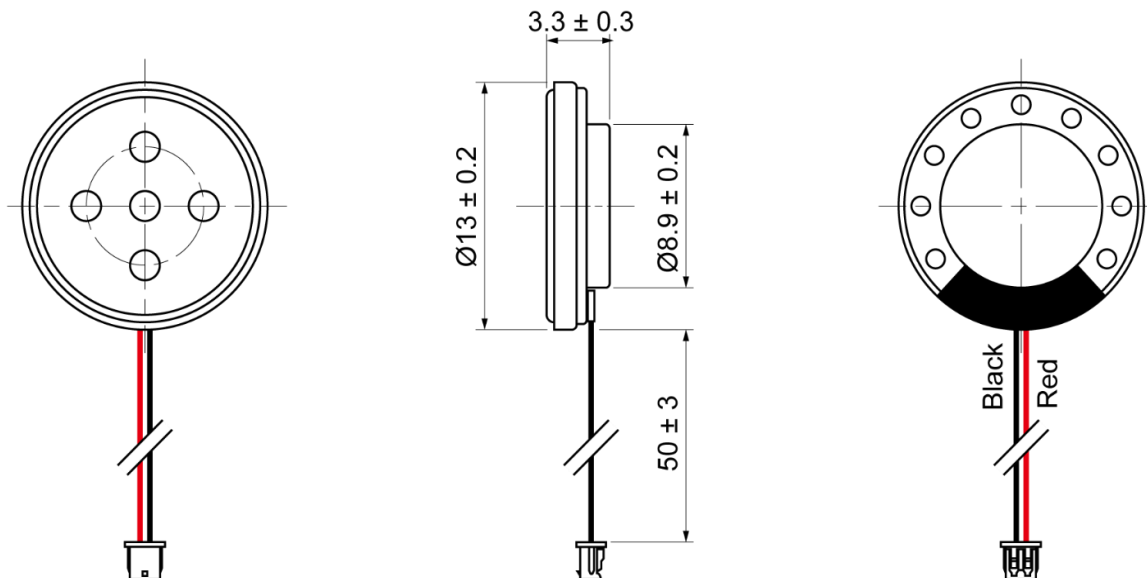
MECHANICAL DRAWING

Dimensions in mm

Wire: UL1571 28AWG

Tolerance ±0.5mm Except Specified

Connector: 51021-0200



Micro Speaker

Model: OSR13R-X290

FREQUENCY RESPONSE CURVE

